

LYSAGHT

COMMERCIAL RANGE

WALLING AND CLADDING



INSPIRATION TO BUILD BETTER

COMMERCIAL INSPIRATIONS WITH LYSAGHT

Steel has played a pivotal role in commercial, industrial, social, and institutional architecture and construction for generations. Its strength, durability and ease of installation benefits have made it the material of choice for all manner of structures. As well as the security and low maintenance qualities it offers, steel has become a material of design, combining functionality with an ability to inspire creative outcomes, even for buildings that may have once been considered completely utilitarian.

In steel, today's architects, designers and engineers have a perfect material – one that can meet all project requirements. From the traditional, to contemporary cutting-edge designs and applications, steel will deliver great outcomes.

As Australia's leading shaper of COLORBOND® steel and ZINCALUME® steel, Lysaght is at the forefront of industry trends. We're committed to providing our partners with a range of premium walling products that not only thrive in commercial settings but provide architects with a choice of materials that allow them to fully realise their creative vision.

Our expertise allows us to offer a curated range of stylish walling options that are available in a wide selection of profiles, fixing styles and COLORBOND® steel colours. Lysaght even caters for buildings located in the most extreme environments such as by the ocean or exposed to corrosive industries including high intensity farming and fertiliser production. For these projects we offer walling products manufactured from marine grade aluminium or corrosion resistant stainless steel.

So, whether you're looking for walling materials that will visually entice and fulfill contemporary design aspirations or simply want to take a more traditional approach to your commercial structure, Lysaght will provide the tools to fulfill all visions.

LYSAGHT - SHAPERS OF COLORBOND® STEEL

COLORBOND® steel is Australian-made pre-painted steel that's supplied to Lysaght in large coils. Lysaght then shapes the COLORBOND® steel (through the process known as rollforming) into our range of roofing and walling products, gutters, fascia and downpipes, fencing systems, plus home improvement products such as verandahs, patios and carports.

Colorbond®

BUILD BETTER WITH LYSAGHT® STEEL WALLING AND CLADDING

Whether you're building a new commercial, industrial, social or institutional facility, or undertaking renovations or refurbishments, LYSAGHT® steel walling offers a range of smart and practical benefits.

DURABILITY

LYSAGHT® steel walling is renowned for its strength and durability, providing robust protection for commercial and industrial buildings. Steel walling can withstand impacts, harsh weather conditions, and other environmental factors, ensuring long-term structural integrity.

LOW MAINTENANCE

Unlike many other materials, LYSAGHT® walling products require minimal upkeep. They won't peel, crack, or warp, reducing the need for regular maintenance and repairs. Our walling products are also easy to clean, requiring just a simple wash to retain its great look.

ENERGY EFFICIENCY

When combined with appropriate insulation, LYSAGHT® walling products can significantly improve a building's energy efficiency by reducing the need for heating in the winter and cooling in the summer. LYSAGHT® walling, shaped from COLORBOND® steel featuring Thermatech® solar reflectance technology, reflects radiant heat, which can help in maintaining a comfortable interior temperature.

DESIGN VERSATILITY

Modern design trends incorporate steel for both its sleek appearance and its adaptability to various architectural styles. LYSAGHT® walling products are available in a range of finishes, colours and substrates, allowing building designers and architects to choose the perfect product for their design vision.

FIRE RESISTANCE

LYSAGHT® steel walling is deemed non-combustible under the NCC, providing an added layer of safety for commercial and industrial buildings. In the event of a fire, a steel roof can help prevent the spread of flames and contribute to the overall fire resistance of the structure.

QUICK INSTALLATION

Steel walling is often quicker to install compared to some other walling materials. Large panel sizes, interlocking systems, and the lightweight nature of steel, contribute to a faster installation process. This can result in cost savings in terms of labour and construction timelines, making it suitable for commercial projects with tight schedules.

SECURITY

Steel walling can provide enhanced security for commercial buildings. Its strength, fixing methods and durability make it more resistant to unauthorised access or vandalism, contributing to the overall safety and security of the property.

SUSTAINABILITY

At Lysaght, we manufacture our LYSAGHT® steel building products range from 100% Australian-made metallic coated and pre-painted steel. These ingredient steel products are durable and resilient to Australia's harsh climate and their long life helps conserve resources and energy that may otherwise be invested in products with a shorter life span. All LYSAGHT® steel building products contain recycled content and the steel in LYSAGHT® products is 100% recyclable. In some cases it can be reused without reprocessing, again saving on energy and resource use.



FROM COUNTRY TO COAST, THERE'S A LYSAGHT PRODUCT TO MEET EVERY CHALLENGE

No matter where you're building there's a LYSAGHT® walling product perfectly suited to the local environmental conditions.

WHERE TO USE WHICH LYSAGHT® WALLING PRODUCT

While LYSAGHT® products shaped from COLORBOND® steel will accommodate the roofing, walling and guttering needs of buildings in most locations, specialist materials are also available to suit more demanding environments such as those by the sea or areas prone to industrial emissions. Lysaght can help you with choosing the correct grade of cladding product. Opposite is a quick guide to which grade may be most suitable for your building, depending upon its location.

WALLING FOR CHALLENGING ENVIRONMENTS

SUPERDURA® STAINLESS STEEL:

- Coastal sites within 100 metres of breaking surf where there is a constant salty smell and salt spray in the air
- Sites within proximity to industrial emissions

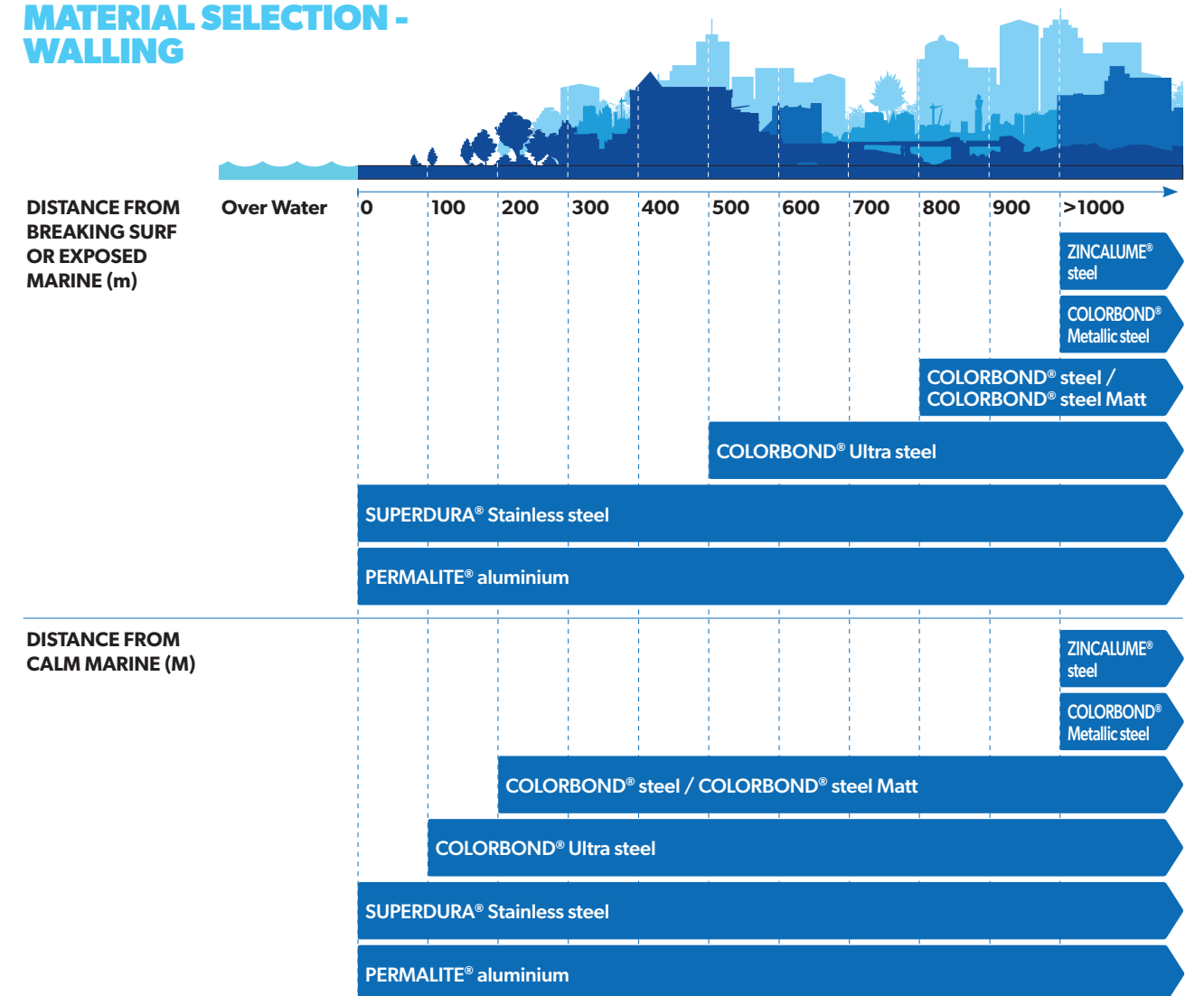
COLORBOND® ULTRA STEEL:

- Coastal sites approximately 100 to 200 metres from breaking surf where there may still be a smell of salt or salt spray in the air
- Sites situated 100 to 200 metres from the source of industrial emissions (fumes and/or particulate fallout) where the effects are typically lessened

PERMALITE® ALUMINIUM:

- For severe marine, industrial and commercial environments

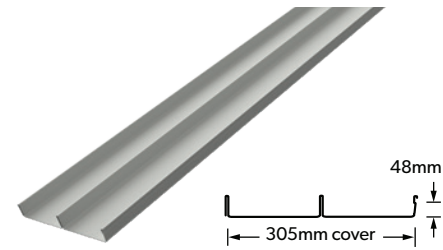
MATERIAL SELECTION - WALLING



OUR STEEL WALLING RANGE

LONGLINE 305®

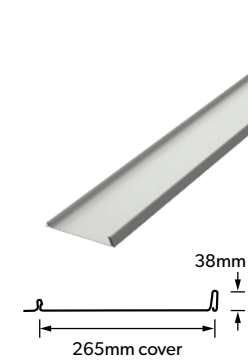
Extremely popular amongst architects, builders, and property owners alike, this striking cladding features slender, high ribs that make a dramatic statement on any building. Using a concealed fixing system to maintain its clean lines the bold rib profile of LONGLINE 305® creates a dramatic shadowing effect as sunlight moves across the roof or wall, and the profile is adept at bold roof-to-wall transition designs.



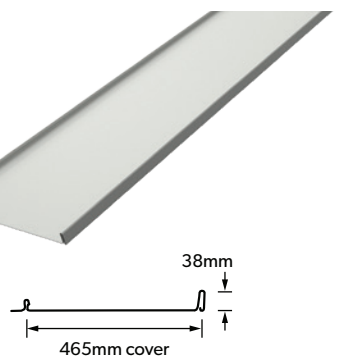
ENSEAM®

Broad, flat pans and a lower, yet substantial rib combine to form yet another distinct visual dynamic in ENSEAM® cladding. While possessing clean and striking good looks, this profile also has an easy style that makes it a very versatile cladding solution for contemporary architectural designs.

ENSEAM® 265mm



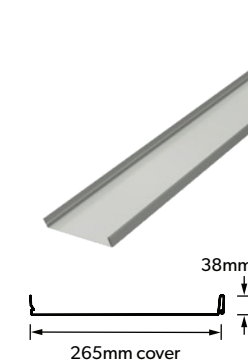
ENSEAM® 465mm



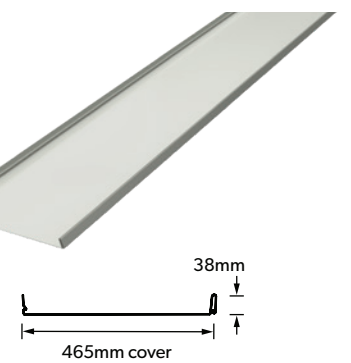
SNAPSEAM™

Featuring the striking linear appearance of ENSEAM®, SNAPSEAM™ delivers improved performance attributes thanks to its concealed fixing system. These clips allow for enhanced thermal expansion and contraction, provide greater fixing security, and allow for longer lengths and greater spanning capacity.

SNAPSEAM™ 265mm



SNAPSEAM™ 465mm





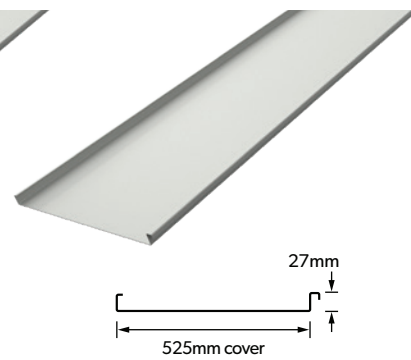
IMPERIAL™

Featuring broad, flat pans and slender, well-defined ribs, cleanly elegant IMPERIAL™ standing-seam cladding complements virtually any architectural design. Combine those good looks with a curving capacity not readily achieved in other cladding profiles, and you have the ultimate profile for versatility and style.

IMPERIAL™ 325mm



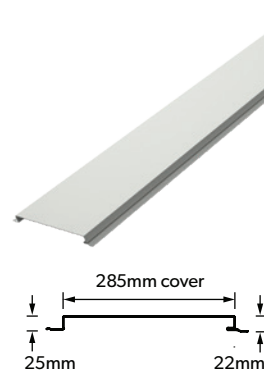
IMPERIAL™ 525mm



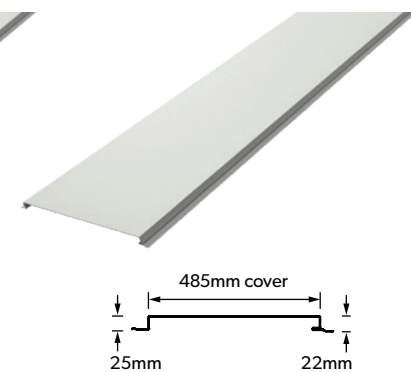
DOMINION®

Whether used in long lengths running vertically or horizontally on a building, or in shorter lengths to create a block-like effect, DOMINION® makes a strong and extremely stylish statement. With raised panels and recessed express joints, this profile conveys a sleek, contemporary character with a pleasing detail created by the shadowed channels.

DOMINION® 285mm



DOMINION® 485mm



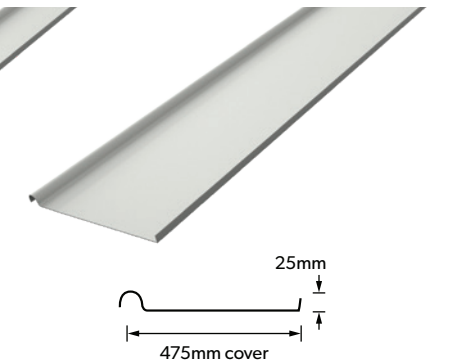
BAROQUE™

A heritage-inspired profile, BAROQUE™ features wide, flat pans defined by generous semi-circular ribs. At once delivering a strong linear visual which is gentled by the rounded rib-form, BAROQUE™ offers a most unique visual character which sits easily with both traditional and contemporary architecture.

BAROQUE™ 275mm SINGLE RIB



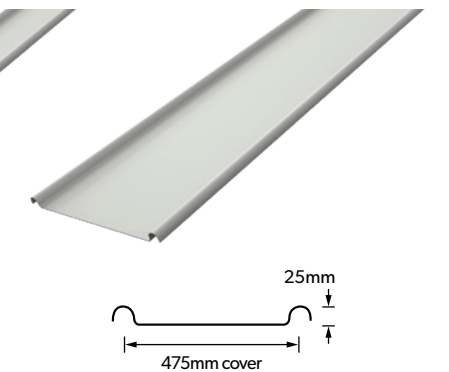
BAROQUE™ 475mm SINGLE RIB



BAROQUE™ 275mm DOUBLE RIB



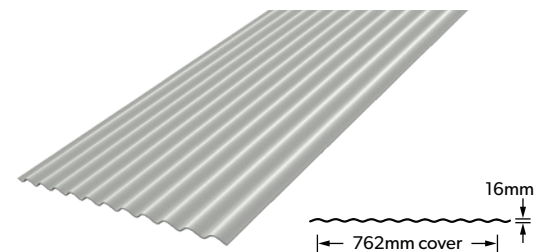
BAROQUE™ 475mm DOUBLE RIB





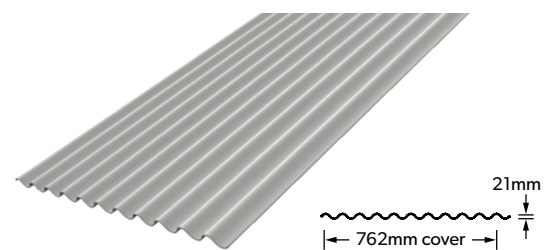
CUSTOM ORB®

Delivering a pleasing textual visual with its uniform 'ripple', CUSTOM ORB® is the famous and original LYSAGHT® corrugated profile which others can only imitate. A long, wide, strong, lightweight, and economical profile, CUSTOM ORB® offers the versatility of being laid flat or spring curved and is equally at ease in both traditional and contemporary architecture.



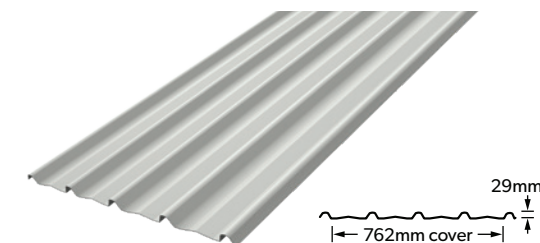
CUSTOM ORB ACCENT® 21

CUSTOM ORB ACCENT® 21 is the perfect alternative to traditional corrugated steel roofing and walling. The deeper profile of CUSTOM ORB ACCENT® 21 not only gives a striking visual effect but delivers real benefits to the architect, builder, and owner alike.



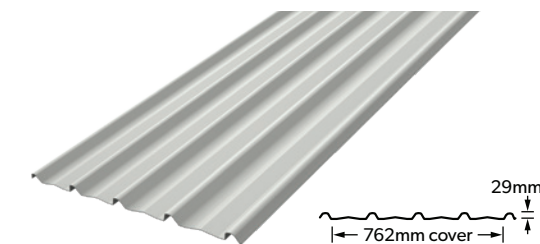
TRIMDEK®

Featuring conventional, trapezoidal ribs and subtle fluting in the pans, TRIMDEK® provides any project with a clean and simple yet pleasing finish. A lightweight and economical profile, TRIMDEK® cladding benefits from an excellent spanning capacity permitting wide support spacings and remarkable recovery after deformation, aiding maintenance requirements.



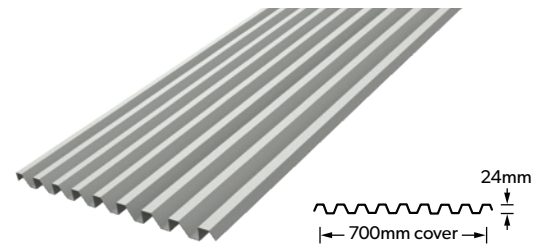
TRIMWALL®

TRIMWALL® is an attractive, lightweight, and versatile steel walling profile designed to complement TRIMDEK®.



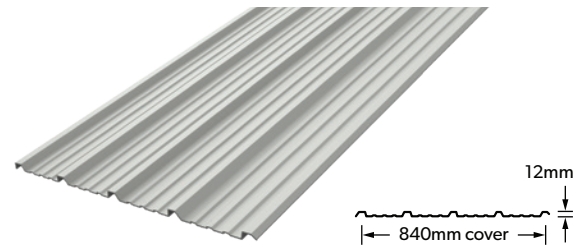
SPANDEK®

The contemporary-looking, square-corrugated profile of SPANDEK® is ideal where a stronger, bolder, and more modern corrugated appearance is required. Combining strength with lightness and rigidity, this popular cladding delivers durability, impact-resistance, and economy with richly textured good looks.



MULTICLAD®

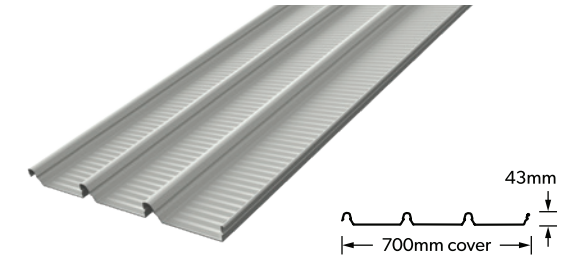
An attractive profile featuring a pleasing trapezoidal rib and longitudinal fluting in the pans, MULTICLAD® can be installed with ribs running vertically or horizontally and is extremely versatile and particularly suitable when an inexpensive, lightweight, and quick-to-install cladding is required.



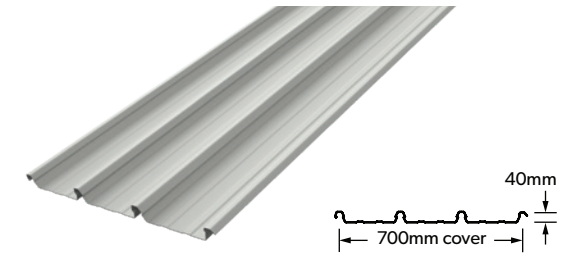
KLIP-LOK®

KLIP-LOK 700 HI-STRENGTH® and KLIP-LOK 700 CLASSIC® are wide-cover concealed fixed cladding profiles offering long spans and excellent uplift performance. They feature substantial, bold ribs rising from wide, transverse fluted pans. Installed using advanced clips, these profiles are ideally suited to near flat roof sections of both commercial buildings and warehouses, as well as residential buildings.

KLIP-LOK 700 HI-STRENGTH® (TRANSVERSE FLUTES)

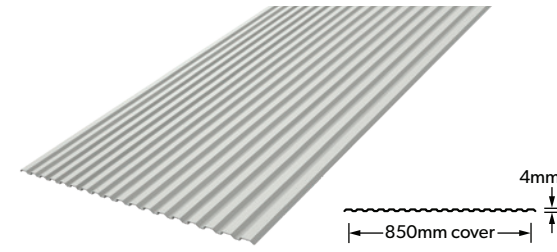


KLIP-LOK 700 CLASSIC®



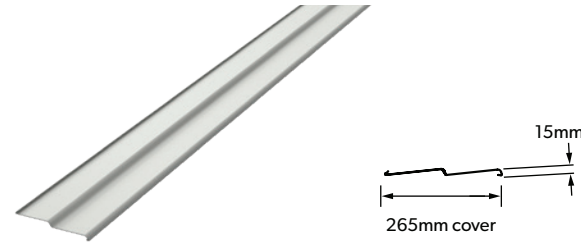
PANELRIB®

A subtle, fluted profile with a gentle, regular rib, PANELRIB® wall cladding is easily fixed and ideal for interior and exterior walling applications or as a feature. Sheets can be run vertically or horizontally and can be used flat or curved, with the longitudinal flutes providing rigidity along the length of the sheet while retaining full flexibility across the width.



WEATHERLINE®

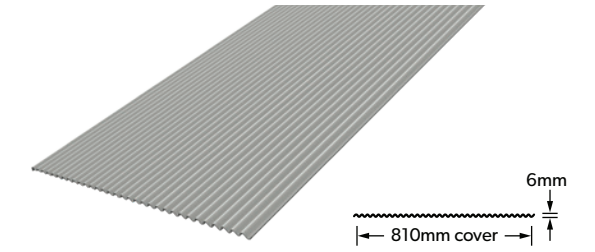
WEATHERLINE® is an attractive and durable interlocking steel panel with concealed fixings. Featuring the appearance of weatherboards, WEATHERLINE® comes with all the advantage of being manufactured from steel, including design, installation, and maintenance benefits. The product is support by clips to achieve a concealed-fixed installation with no visible fasteners.



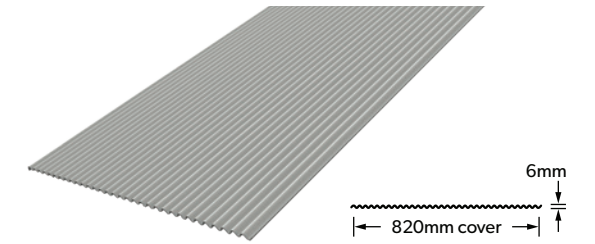
MINI ORB®

With delightful mini corrugations that make a dramatic visual impact, MINI ORB® wall cladding is suitable for interior and exterior applications and is a perfect complement to other LYSAGHT® roof and wall claddings when used as an accent feature. MINI ORB® is suitable for flat and curved installations, with ribs running vertically or horizontally, and is ideal for feature walls and ceilings.

MINI ORB® 810mm



MINI ORB® 820mm





OUR ALUMINIUM WALLING AND CLADDING RANGE

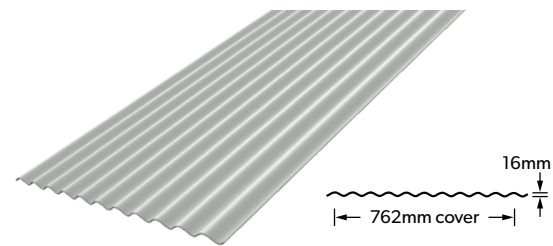
For use in marine and other challenging environments, PERMALITE® aluminium is a long lasting, durable, lightweight alternative to other roofing materials, unique in its ability to remain corrosion free with minimal maintenance.



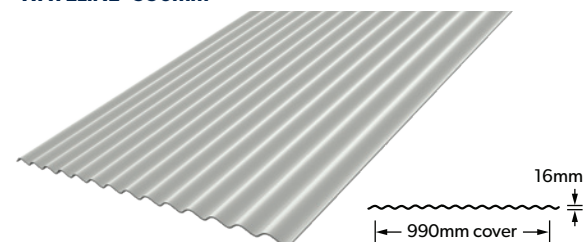
WAVELINE®

Owing to its classic Australian corrugated shape with all the durability benefits associated with aluminium, WAVELINE® is a smart choice for coastal projects seeking an iconic appearance with the durability benefits of aluminium. WAVELINE® is available in two cover width options – standard 762mm cover width, or 990mm for greater installation economy.

WAVELINE® 762mm

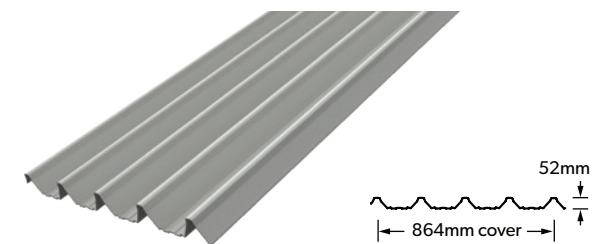


WAVELINE® 990mm



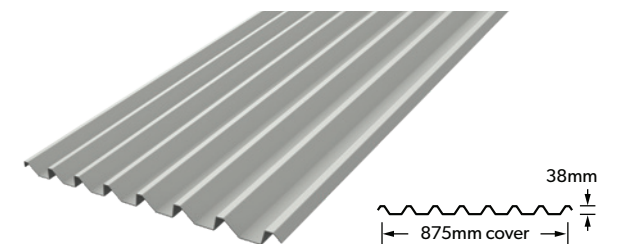
ALSPAN®

The bold ribs and wide pans of ALSPAN® offer a well-defined appearance on large roof planes requiring an aluminium solution. Combined with advantages including a long spanning capability, large rainwater-carrying capacity, and an ability to be used at low pitches, ALSPAN® is a high-performing roofing solution.



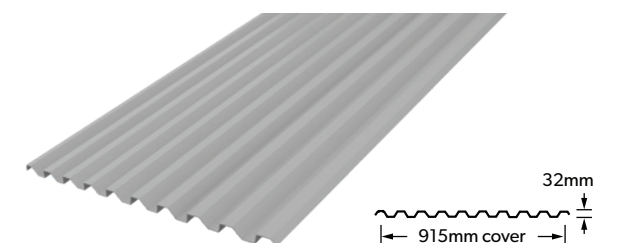
LT7®

Combining several advantages, including strength, water-carrying capacity, fixing economy and eave closure features, LT7® is a flexible aluminium roofing or walling option for a breadth of projects. Its spanning ability, lightness, and rigidity permit LT7® in achieving large support spacings, whilst also supporting safe handling and installation on-site.



V-RIB®

Featuring a neat, balanced appearance, the ability to be installed quickly and large cover width, V-RIB® is an effective aluminium roofing or walling option for many projects. This profile is also effectively used as insulation jacketing in power stations and chemical processing plants.



WALLING AND CLADDING SOLUTIONS COLOUR RANGE

COLORBOND® STEEL FROM LYSAGHT

FOR ROOFING, WALLING, GUTTERING AND FASCIA

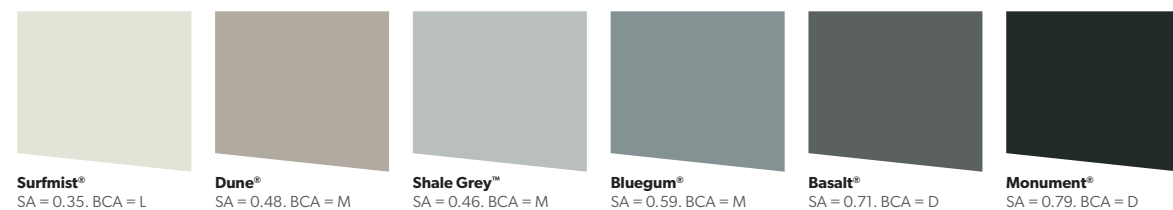
CLASSIC

Designed to weather the unique Australian land, a Classic finish provides a low sheen aesthetic that provides longevity and durability.



MATT

Soft in appearance yet durable and strong, a Matt finish beautifully diffuses light for a textured designer appearance.

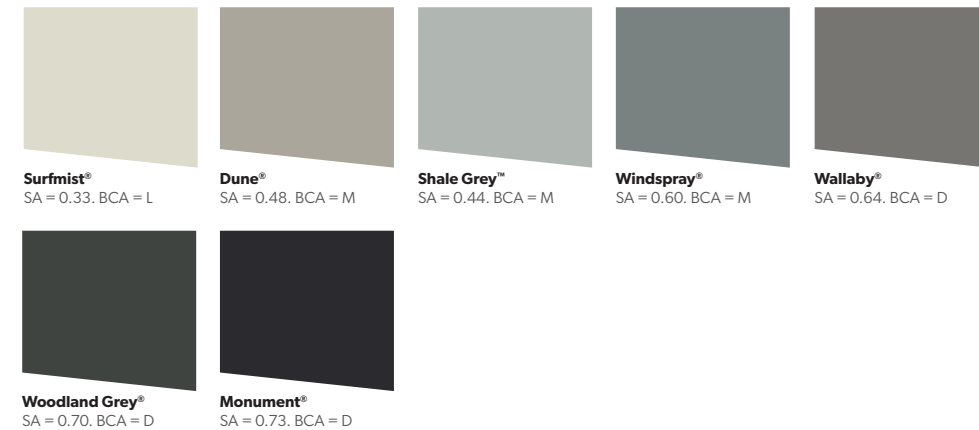


COLORBOND® STEEL FROM LYSAGHT

FOR ROOFING, WALLING, GUTTERING AND FASCIA

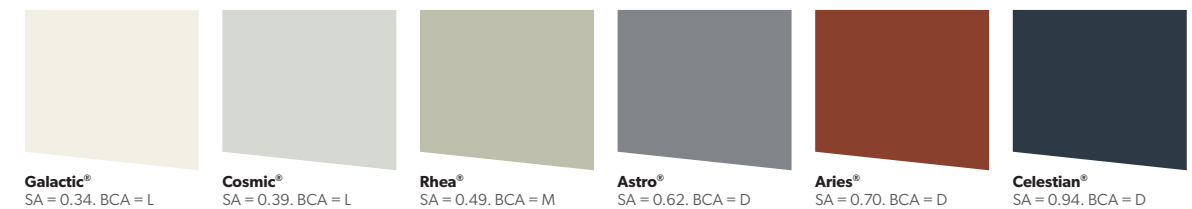
ULTRA

For building in marine and industrial environments, Ultra offers another level of specialist protection and durability.



METALLIC

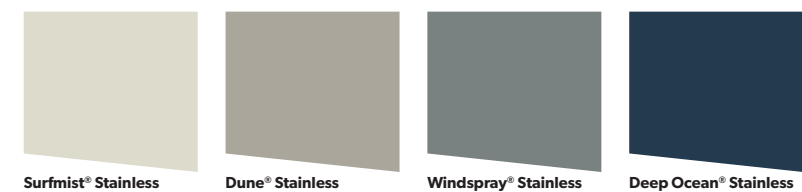
The Metallic finish showcases long lasting lustre for colour brilliance. A simple play of light brings out the striking 'metallic' effect.



SUPERDURA® STAINLESS STEEL FROM LYSAGHT

FOR ROOFING, WALLING, GUTTERING AND FASCIA

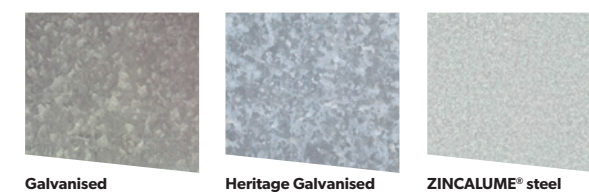
Our ultimate pre-painted steel product for corrosion resistance, suitable for very severe marine environments.



UNPAINTED STEEL FROM LYSAGHT

FOR ROOFING, WALLING, GUTTERING AND FASCIA

A range of aesthetics from the large, grey spangles of iconic galvanised steel through to modern, petite spangled ZINCALUME® steel cladding.



REDCOR®
FROM LYSAGHT

FOR WALLING

With a protective patina that changes organically over time REDCOR® can deliver a striking appearance.

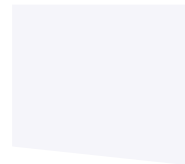


REDCOR®

PERMALITE® ALUMINIUM
FROM LYSAGHT

**FOR ROOFING, WALLING,
GUTTERING AND FASCIA**

With a specially developed marine-grade aluminium base, PERMALITE® is recommended for aggressive industrial and marine environments.



Glacier White®



Gull Grey™



Sahara®



Enduro Green®



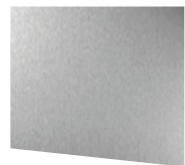
Slate Grey™



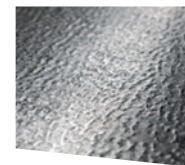
Moon Shadow®



Obelisk Grey®



Mill Finish Aluminium



Stucco Finish Aluminium



A NOTE ON AVAILABILITY

Not all LYSAGHT® products are available in all materials, finishes and colours shown - contact Lysaght, your reseller, builder, or installer for more information.

SA AND BCA CLASSIFICATION EXPLAINED

SA = Solar Absorptance. The classification of colours in the BCA is based on solar absorptance, which is the inverse of solar reflectance, expressed as a ratio between 0 and 1. A SA value of 0 indicates that a roof absorbs none and a value of 1 indicates that a roof absorbs 100% of the incoming solar radiation. Solar absorptance value is not applicable for SUPERDURA® Stainless steel. See the individual colour swatches for the SA value for each product and colour.

BCA = The Building Code of Australia (BCA) has classified roof colour on the basis of their solar absorptance, referred herein as Light (L < 0.40), Medium (M 0.60). See the individual colour swatches for the ratings available for each product and colour. BCA classification is correct at the time of printing but may be subject to change. Check your local state building regulations at the time of your project.

PRODUCT AVAILABILITY

	NSW/ACT	QLD	NT	VIC	TAS	SA	WA
STEEL WALLING AND CLADDING							
LONGLINE 305®	✓	✓	✓	✓	✓	✓	✓
ENSEAM®	✓	✓	✓	✓	✓	✓	✓
SNAPSEAM™	✓	✓	✓	✓	✓	✓	✓
IMPERIAL™	✓	✓	✓	✓	✓	✓	✓
BAROQUE™	✓	✓	✓	✓	✓	✓	✓
DOMINION®	✓	✓	✓	✓	✓	✓	✓
CUSTOM ORB®	✓	✓	✓	✓	✓	✓	✓
CUSTOM ORB ACCENT® 21	✓			✓	✓	✓	
TRIMDEK®	✓	✓	✓	✓	✓	✓	✓
TRIMWALL®	✓	✓	✓	✓	✓	✓	✓
SPANDEK®	✓	✓	✓	✓	✓	✓	✓
KLIP-LOK®	✓	✓	✓	✓	✓	✓	✓
PANELRIB®	✓	✓		✓	✓	✓	✓
MINI ORB®	✓	✓		✓	✓	✓	
MULTICLAD®	✓	✓		✓	✓	✓	
WEATHERLINE®		✓					
ALUMINIUM WALLING AND CLADDING							
WAVELINE®	✓		✓	✓	✓	✓	✓
ALSPAN®	✓		✓	✓	✓	✓	✓
LT7®	✓		✓	✓	✓	✓	✓
V-RIB®	✓		✓	✓	✓	✓	✓

WHY LYSAGHT ONLY USES AUSTRALIAN COLORBOND® STEEL

COLORBOND® steel has been made in Australia since 1966 by BlueScope - Australia's largest steelmaker and a global leader in the manufacture of pre-painted steel.

Decades of Australian research and development have gone into creating a range of technologies that give genuine COLORBOND® steel its long lasting performance in Australia's harsh climate.

Renowned for its quality finish and durability, and backed by a material warranty¹ from BlueScope, COLORBOND® steel is one of Australia's most trusted building materials.

Colorbond®

SUSTAINABILITY

At Lysaght, we manufacture our LYSAGHT® steel building products range from 100% Australian-made metallic coated and pre-painted steel. These ingredient steel products are durable and resilient to Australia's harsh climate and their long life helps conserve resources and energy that may otherwise be invested in products with a shorter life span.

All LYSAGHT® steel building products contain recycled content and the steel in LYSAGHT® products is 100% recyclable. In some cases it can be reused without reprocessing, again saving on energy and resource use.

THERMAL EFFICIENCY

Many people know that the colour of your roof can make a difference to your cooling bill and no less than five of the colours in the COLORBOND® steel range qualify as solar reflective (light coloured) roofing under the Green Star Communities tool. But there's another way that COLORBOND® steel can help make your home more energy efficient. Every colour (except Night Sky®) in the standard COLORBOND® steel range features Thermatech® solar reflectance technology. Thermatech® technology is designed to reflect more of the sun's heat on hot, sunny days, which can mean less dependence on air-conditioning, plus reduced heat stress for your roof. The LYSAGHT® product range is available in the full range of COLORBOND® steel colours.

CORSTRIP® PROTECTIVE PLASTIC FILM

Some LYSAGHT® products shaped from COLORBOND® steel are delivered with a plastic film called CORSTRIP® to protect the product from damage during transport and installation. CORSTRIP® is made from 100% low-density polyethylene (LDPE) and is suitable for recycling.



Scan the QR code to access more design inspiration and product information on lysaght.com

LYSAGHT.COM

FOR SALES ENQUIRIES CALL 13 30 38

FOR TECHNICAL ENQUIRIES CALL 1800 641 417

PRODUCT DESCRIPTIONS

All descriptions, specifications, illustrations, drawings, data, dimensions, and weights contained in this publication and websites containing information from Lysaght are approximations only. They are intended by Lysaght to be a general description for information and identification purposes and do not create a sale by description. Lysaght reserves the right at any time to:

- Supply goods with such minor modifications from its drawings and specifications as it sees fit, and
- Alter specifications shown in its publications and websites to reflect changes made after the date of publication.

Not all LYSAGHT® products are available in all materials, finishes and colours shown. Material, finish and colour availability is indicative only and is subject to change without notice – contact Lysaght, your reseller, builder, or installer for more information.

The colour swatches shown have been reproduced to represent actual product colours as accurately as possible. However, we recommend checking your chosen colour against an actual sample of the product before purchasing, as varying light conditions and limitations of the printing process may affect colour tones and finishes.

¹Warranties are subject to exclusions, application and eligibility criteria. For full terms and conditions and to determine the eligibility of your product for the warranty visit bluescopesteel.com.au/warranties or contact BlueScope on 1800 800 789. Warranties provided by BlueScope do not affect consumer rights under the Australian Consumer Law.

COLORBOND®, SUPERDURA®, ZINCALUME®, PERMALITE®, LYSAGHT® and ® colour and product names are registered trademarks of BlueScope Steel Limited and ™ colour and product names are trademarks of BlueScope Steel Limited.

© 2024 BlueScope Steel Limited. ABN 16 000 011 058. All rights reserved. LYH1830 – 02/24

INSPIRATION TO BUILD BETTER

LYSAGHT